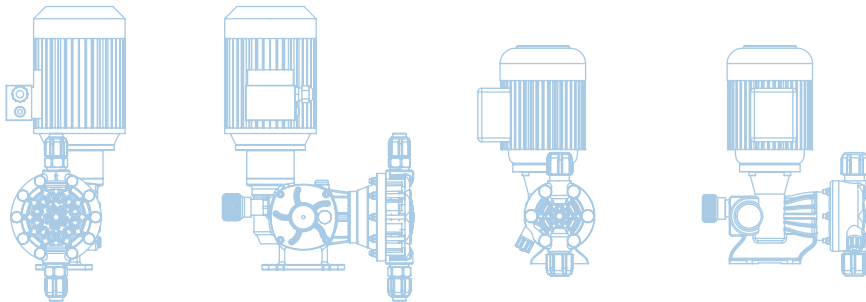


Electro-Mechanical Diaphragm Dosing Pumps

With its high-precision microcontroller control and solenoid technology, AnTech dosing pumps offer models that can provide dosing with a precision of less than 0.1 ml. The models are available which can provide dosing up to 25 liters per hour at a counter pressure of 5 bars for high dosing needs and up to 3.5 liters per hour at a counter pressure of 20 bars for high-pressure dosing needs.



Electro-Mechanical Diaphragm Dosing Pumps



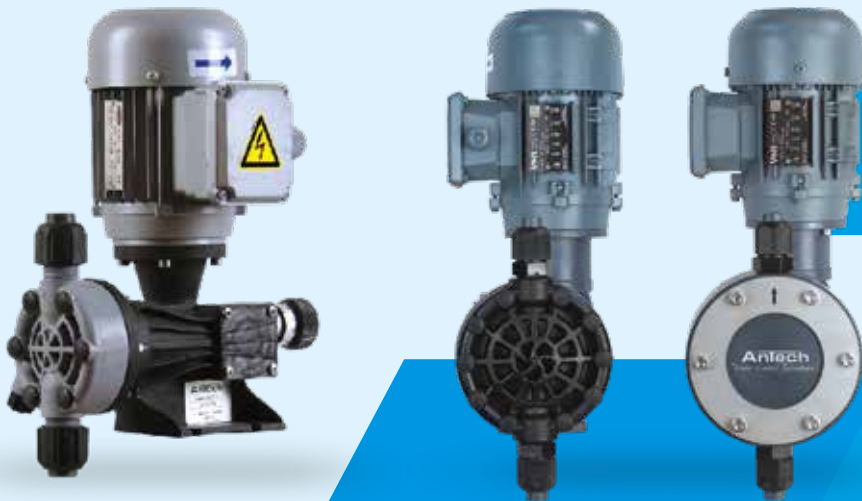
Dosing Pumps

Dosing Pumps

Dosing pumps are used for the transfer of an identified liquid. This transfer is usually provided from one container to another container or process. Dosing pumps allow transfers to open containers, closed containers and pressure lines.

With its high-precision microcontroller control and solenoid technology, AnTech dosing pumps offer models that can provide dosing with a precision of less than 0.1 ml. The models are available which can provide dosing up to 25 liters per hour at a counter pressure of 5 bars for high dosing needs and up to 3.5 liters per hour at a counter pressure of 20 bars for high-pressure dosing needs.

For mechanical diaphragm dosing pumps, it offers a wide range of products which can provide dosing up to between 1.4-14 and 4.9-49 liters per hour at a counter pressure of 5 bars and up to between 5-50 and 15-150 liters per hour at a counter pressure of 7 bars.



EMD Series
EMD Series

Electro-Mechanical Diaphragm Dosing Pumps

EMD Series













EMD-P

Electro-Mechanical Diaphragm Dosing Pump with Plastic Body

- Ideal solution for precise dosing of large quantities of liquid chemicals
- PP, SS 316 and PVDF pump head, couplings and check valves which can be selected according to the chemicals want to be dosed
- Manual 0-100% capacity setting when running or stopping.
- Ability to adjust capacity with the 4-20mA signal input motor driver

Stock Code	Model	Lt/H	Max. Counter Pressure/Bar	Package Sizes/cm W-L-H	Packed Weight/Kg
311014005241(XXX)	EMD P14L/5B 380 (XXX)	14	5	31 x 38 x 23	5,90 (PCP) 5,95 (PSS)
311032005251(XXX)	EMD P32L/5B 380 (XXX)	32	5	31 x 38 x 23	6,10 (PVCCP) 6,00 (PVDfCP)
311049005261(XXX)	EMD P49L/5B 380 (XXX)	49	5	31 x 38 x 23	7,40 (SSS)

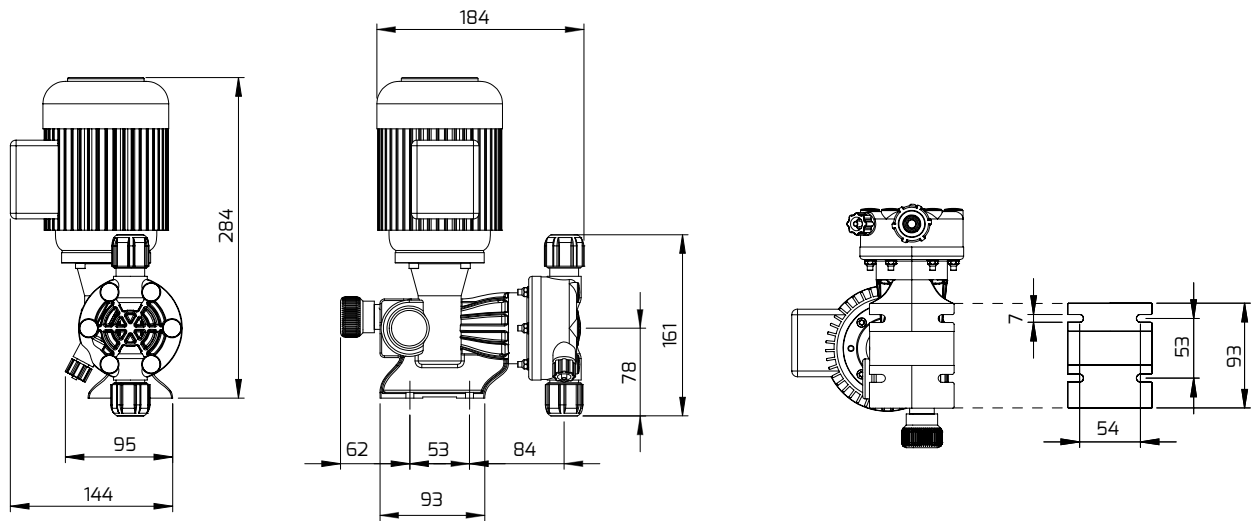
Spare Parts - Options

Stock Code	Stock Name	Description	Included in Package
 600112000110000	CONNECTION KIT EMD 11 (PCP)	9X12 mm And 20 mm Connection Parts Of The Emd Pump Head. For All Pcp Models.	✓
 600112000330000	CONNECTION KIT EMD 33 (PVDfCP)	9X12 mm And 20 mm Connection Parts Of The Emd Pump Head. For All Pvd fcp Models.	✓
 600112000440000	CONNECTION KIT EMD 44 (PVCCP)	9X12 mm And 20 mm Connection Parts Of The Emd Pump Head. For All Pvccp Models.	✓
 410160011100001	CONNECTION KIT EMD 9X12 PP	Pp Suction And Injection Kit For 9X12 mm Connection. For All Pcp Models	✗
 410160012200001	CONNECTION KIT EMD 20MM PP	Pp Suction And Injection Kit For 20 mm Connection. For All Pcp Models	✗
 410160021100001	CONNECTION KIT EMD PVC 9X12MM	Pp Suction And Injection Kit For 9X12 mm Connection. For All Pvccp Models	✗
 410160022200001	CONNECTION KIT EMD 20MM PVC	Pp Suction And Injection Kit For 20 mm Connection. For All Pvccp Models	✗
 410160031300001	CONNECTION KIT EMD PVDF 9X12MM	Pp Suction And Injection Kit For 9X12 mm Connection. For All Pvd f Models	✗
 410160032300001	CONNECTION KIT EMD PVDF 20MM PVC	Pp Suction And Injection Kit For 20 mm Connection. For All Pvd f Models	✗
 410170011100001	PIPE KIT 9X12 PE 10M	9X12 mm Polyethylene Hose 10 Meters	✗

EMD-P TECHNICAL SPECIFICATIONS

Pump Type	Ø mm Diaphragm	Stroke / dk.		Capacity				Max. Pressure		Stroke mm	kW	Connections	Weight
		50Hz	60Hz	L1'		L/h		Bar	Psi				
				50Hz	60Hz	50Hz	60Hz						
EMD P14L/5B 380 (XXX)	66	42	50	0,23	0,28	14	17	5	72,5	4	0,09	3/4"	4,50 (PCP) 4,55 (PSS)
EMD P32/5B 380 (XXX)	66	85	102	0,53	0,64	32	38	5	72,5	4	0,09	3/4"	6,00 (SSS)
EMD P49L/5B 380 (XXX)	66	128	153	0,82	0,98	49	59	5	72,5	4	0,09	3/4"	4,60 (PVDFCP) 4,70 (PVCCP)

* Pump installation connection is 3/4" external threaded. Optionally, 3/8" internal thread and 9x12mm hose connection accessories are included in the package.



All dimensions are mm

EMD **P**

14L5B

380 XXX

Code	Description
P	Electro-Mechanical Diaphragm Dosing Pump with Plastic Body

Code	Description
14L/5B	It can dose maximum 14 liters against to maximum 5 bar counter pressure.
32L/5B	It can dose maximum 32 liters against to maximum 5 bar counter pressure.
49L/5B	It can dose maximum 49 liters against to maximum 5 bar counter pressure.

Code	Pump Head	Ball	Under Ball Component	Diaphragm
PCP	PP	Ceramic	PTFE	PTFE
PSS	PP	S.S.316	S.S.316	PTFE
SSS	S.S.316	S.S.316	S.S.316	PTFE
PVDFCP	PVDF	Ceramic	PTFE	PTFE
PVCCP	PVC	Ceramic	PTFE	PTFE

Electro-Mechanical Diaphragm Dosing Pumps

EMD Series







EMD-M

Electromechanical Diaphragm Dosing Pump with Metal Body

- Ideal solution for precise dosing of large quantities of liquid chemicals
- PP, PVC, S.S.316 and PVDF pump head, couplings and check valves which can be selected according to the chemicals want to be dosed
- Manual 0-100% capacity setting when running or stopping.
- Ability to adjust capacity with the 4-20mA signal input motor driver

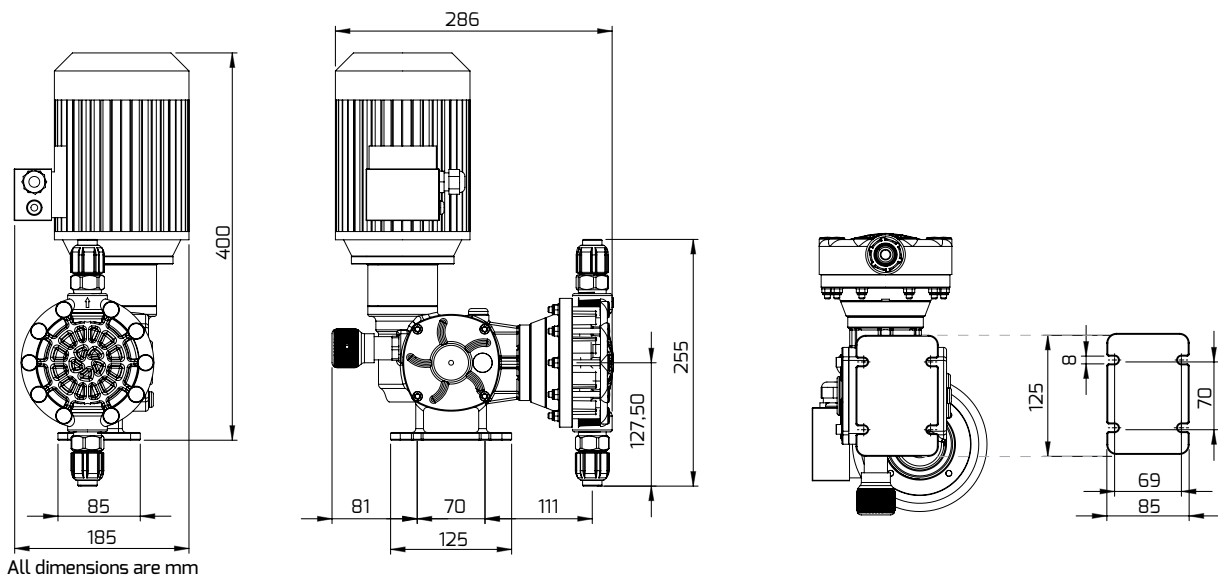
Stock Code	Model	Lt/H	Max. Counter Pressure/Bar	Package Sizes/cm W-L-H	Packed Weight/Kg
310050007101(XXX)	EMD M50L/7B 380 (XXX)	50	7	41 x 58 x 33	13,65 (PCP) 13,70 (PSS)
310100007121(XXX)	EMD M100L/7B 380 (XXX)	100	7	41 x 58 x 33	14,10 (PVCCP) 13,90(PVDFCP)
310150007131(XXX)	EMD M150L/7B 380 (XXX)	150	7	41 x 58 x 33	18,20 (SSS)
310240005331(XXX)	EMD M200L/5B 380 (XXX)	200	5	41 x 58 x 33	14,85 (PVCXP) 14,90 (PVCSS) 15,10(PVDFXP) 19,40 (SSS)
310360005331(XXX)	EMD M310L/5B 380 (XXX)	310	5	41 x 58 x 33	15,85 (PVCXP) 15,90 (PVCSS) 16,10(PVDFXP)
310460003331(XXX)	EMD M420L/3B 380 (XXX)	420	3	41 x 58 x 33	20,40 (SSS)
310630003431(XXX)	EMD M630L/3B 380 (XXX)	630	3	41 x 58 x 33	

Spare Parts - Options

Stock Code	Stock Name	Description	Included in Package
 600112000110000	CONNECTION KIT EMD 11 (PCP)	9X12 mm And 20 mm Connection Parts Of The Emd Pump Head. For All Pcp Models.	✓
 600112000330000	CONNECTION KIT EMD 33 (PVDFCP)	9X12 mm And 20 mm Connection Parts Of The Emd Pump Head. For All Pvdhcp Models.	✓
 600112000440000	CONNECTION KIT EMD 44 (PVCCP)	9X12 mm And 20 mm Connection Parts Of The Emd Pump Head. For All Pvccp Models.	✓
 410160011100001	EMD CONNECTION KIT PP 9X12MM	Pp Suction And Injection Kit For 9X12 mm Connection For All Pcp Models	✗
 410160012200001	CONNECTION KIT EMD PP 20MM PVC	Pp Suction And Injection Kit For 20 mm Connection For All Pcp Models	✗
 410160021100001	CONNECTION KIT EMD PVC 9X12MM	Pp Suction And Injection Kit For 9X12 mm Connection For All Pvccp Models	✗
 410160022200001	CONNECTION KIT EMD PVC 20MM PVC	Pp Suction And Injection Kit For 20 mm Connection For All Pvccp Models	✗
 410160031300001	CONNECTION KIT EMD PVDF 9X12MM	Pp Suction And Injection Kit For 9X12 mm Connection For All Pvdhf Models	✗
 410160032300001	CONNECTION KIT EMD PVDF 20MM PVC	Pp Suction And Injection Kit For 20 mm Connection For All Pvdhf Models	✗
 410170011100001	PIPE KIT 9X12 PE 10M	9X12 mm Polyethylene Hose 10 Meters	✗

EMD-M TECHNICAL SPECIFICATIONS

Pump Type	Ø mm Diaphragm	Stroke / dk.		Capacity				Max. Pressure		Stroke mm	kW	Connection	Weight
		50Hz	60Hz	L1'		L/h		Bar	Psi				
				50Hz	60Hz	50Hz	60Hz						
EMD M50L/7B 380(XXX)	110	40	48	0,83	1	50	60	7	101,5	5	0,25	3/4"	12,15 (PCP) 12,20 (PSS)
EMD M100L/7B 380(XXX)	110	80	96	1,66	2	100	120	7	101,5	5	0,25	3/4"	16,70 (SSS) 12,40(PVDFCP)
EMD M150L/7B 380(XXX)	110	120	145	2,5	3	150	180	7	101,5	5	0,25	3/4"	12,60 (PVCCP)
EMD M200L/5B 380 (XXX)	120	80	96	4	4,83	200	290	5	72,5	10	0,37	3/4"	13,35 (PVCXP) 13,40 (PVCSS) 13,60(PVDFPXP)
EMD M310L/5B 380 (XXX)	120	120	145	5,166	6,2	310	372	5	72,5	10	0,37	3/4"	17,90 (SSS) 13,35 (PVCXP)
EMD M420L/3B 380 (XXX)	140	120	145	7	8,4	420	504	3	43,5	10	0,37	1"	13,40 (PVCSS)
EMD M630L/3B 380 (XXX)	140	120	145	10,5	12,58	630	755	3	43,5	15	0,37	1"	14,60(PVDFPXP) 18,90 (SSS)



All dimensions are mm

EMD **M**

50L/7B

380 XXX

Code	Description
M	Electromechanical Diaphragm Dosing Pump with Metal Body

Code	Description
50L/7B	It can dose maximum 50 liters against to maximum 7 bar counter pressure.
100L/7B	It can dose maximum 100 liters against to maximum 7 bar counter pressure.
150L/7B	It can dose maximum 150 liters against to maximum 7 bar counter pressure.
240L/5B	It can dose maximum 240 liters against to maximum 5 bar counter pressure.
310L/5B	It can dose maximum 310 liters against to maximum 5 bar counter pressure.
420L/3B	It can dose maximum 420 liters against to maximum 3 bar counter pressure.
630L/3B	It can dose maximum 630 liters against to maximum 3 bar counter pressure.

Code	Pump Head	Ball	Under Ball Component	Diaphragm
PCP	PP	Ceramic	PTFE	PTFE
PSS	PP	S.S.316	S.S.316	PTFE
SSS	S.S.316	S.S.316	S.S.316	PTFE
PVDFCP	PVDF	Ceramic	PTFE	PTFE
PVCCP	PVC	Ceramic	PTFE	PTFE
PVCXP	PVC	Pyrex	PTFE	PTFE
PVCSS	PVC	S.S.316	S.S.316	PTFE
PVDFPXP	PVDF	Pyrex	PTFE	PTFE

A[®]nTech

"Water Control Technologies"

www.enelsa.com